

KEEP THIS MANUAL FOR FUTURE REFERENCE.

IMPORTANT

Read this manual carefully before assembling, using or servicing this stove.
KEEP THIS MANUAL FOR FUTURE REFERENCE.

FOR YOUR SAFETY - IF YOU SMELL GAS

- Do not attempt to light the appliance.
- Extinguish any open flame.
- Disconnect from fuel supply.
- If smell persists leave the area.

FOR YOUR SAFETY

**NOTE: DO NOT STORE OR USE GASOLINE OR OTHER LIQUID WITH FLAMMABLE VAPORS
IN THE VICINITY OF THIS OR ANY OTHER APPLIANCE.**

! DANGER !

CARBON MONOXIDE HAZARD

- This appliance can produce carbon monoxide which has no odor.
- Using it in an enclosed space can kill you.
- Never use this appliance in an enclosed space such as camper, tent, car or home.

! WARNING !

Misuse of this stove can lead to fire, explosion and serious personal injury to you or others. Follow all instructions provided.

CONTACT INFORMATION

If you should have any questions, problems or comments, please call our Customer Service Department at **1-800-231-1402**.
This Department is open from **8 AM-5 PM CST. M-F. www.texsport.com**.

DANGER

**NEVER USE THIS
APPLIANCE IN AN ENCLOSED
SPACE SUCH AS CAMPER,
TENT, CAR OR HOME.**

**USING IT IN AN ENCLOSED
SPACE CAN KILL YOU.**

**USE OUTDOORS
ONLY!**



- 1. Butane stove**
- 2. Butane cylinder compartment**
- 3. Locking switch**
- 4. Control knob**
- 5. Burner and electronic lighter**
- 6. Pot holder**

Thank you for buying a Texsport Authentic Adventure Gear product. We hope you enjoy your new propane appliance and that it will serve you for many years to come. We encourage you to read and understand each step of the set-up and safety operation instructions prior to working with this propane appliance.

FOR OUTDOOR USE ONLY

GENERAL SAFETY INFORMATION

- NEVER use in an enclosed area.
- DO NOT use stove while sleeping.
- Always use stove in the upright position.
- DO NOT expose the butane cylinder to excessive heat.
- Never operate stove with missing or damaged parts or mantles.
- Always inspect stove, butane cylinder and connections for damage, debris or dirt before attaching the butane cylinder.
- DO NOT USE AS A SPACE HEATER.
- Always attach/detach butane cylinder outdoors away from any open flame or pilot lights and only when the stove is cool.
- When storing or transporting stove, always disconnect the butane cylinder and store it in a cool, well ventilated location, in an upright position.
- Be sure connection to butane cylinder is tightly secure prior to each use.
- Never operate the stove near any flammable liquid or vapors. Keep all flammable or combustible materials beyond the clearance zone as indicated on the back panel of this booklet.
- Discontinue operation and close valve if:
 - ambient temperature drops below -10° F.
 - there is no fuel remaining in the butane cylinder
 - combustion becomes unstable
 - lighting cannot be performed quickly and easily
 - you experience repeated flame outs
- Should blockage occur in the fuel jet, do not attempt to clear with a metal object. Call Texsport Customer Service at 1-800-231-1402 8AM – 5PM CST Mon-Fri.
- Never leave stove unattended when hot or in use.
- KEEP OUT OF REACH OF CHILDREN.

INSTRUCTIONS FOR USE

- Step 1. ..Unpack stove. Dispose of all packing material.
- Step 2. ..Make sure that the burner control knob (5) is turned to the OFF position.
- Step 3. ..Make sure the locking switch (4) is up in the UNLOCK position.
- Step 4. ..Make sure the pot holder (7) is flipped over with wind baffles facing up.
- As shown in Illustration 1



Illustration 1

CONNECTING BUTANE CYLINDER

CONNECTING THE FUEL SOURCE – ASSEMBLE OUTDOORS

- Step 1Open the side butane cylinder compartment (3).
- Step 2. ...Lift the locking switch (4) to the UNLOCK position.
- Step 3Locate the notch on the butane cylinder (not included) as shown in illustration 2.
- Step 4Insert the butane cylinder in to the butane cylinder compartment (3) with the notch and latch aligned as shown in illustration 3.

NOTE: The stove will not function if the notch is not aligned correctly in the compartment.

- Step 5. ...Push the locking switch (4) down to the LOCKING position as shown in illustration 4.
- You should see the butane cylinder slide and lock into place.
- Step 6. ...Close butane cylinder compartment (3).
- Step 7. Repeat steps 1-6 to insert the second butane cylinder.

Before lighting your stove:

**DO YOU SMELL GAS?
IF YES, THERE IS A LEAK.
IS THE CONNECTION AREA EXTREMELY COLD?
IF SO, THERE IS A LEAK
DO NOT USE STOVE IF IT IS LEAKING.**

When you are sure there are no leaks, you may proceed to lighting your stove.



Illustration 2

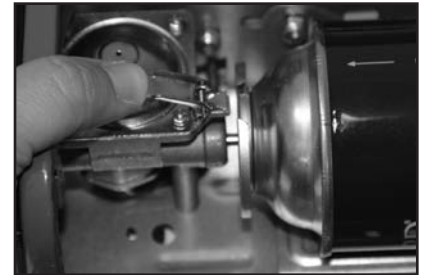


Illustration 3

LIGHTING YOUR STOVE

- Step 1Turn control knob (5) counter clockwise with slight force in one quick motion to ignite the stove.
- Step 2 After burner has ignited, adjust to desired heat level.



Illustration 4

USING YOUR STOVE

- Step 1Keep children, pets and flammable materials well away from ignited burner.
- Step 2While ignited DO NOT touch the cooking area. Only the control knob should be touched during operation.
- Step 3Stove surface is very hot and should not be handled or moved, except after being shut down.
- Step 5Allow stove to cool for 15 minutes before moving or storage.

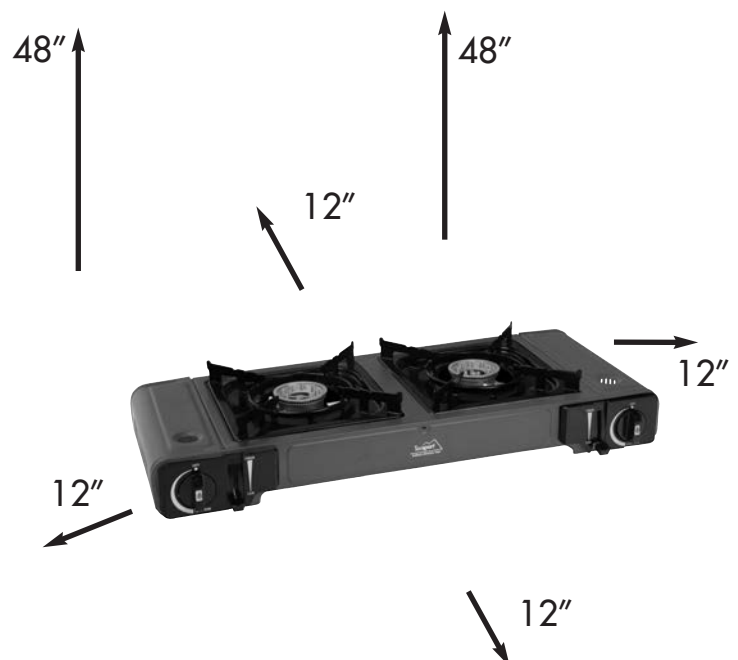
MAINTENANCE

Be sure to keep equipment clean and make sure burner is always unobstructed. Butane appliances seldom require service as long as you keep valves and orifices away from dirt and dust. Always blow the valve clean before connecting it to a cylinder. If damaged DO NOT use the appliance and contact Texsport Customer Service @ 800-231-1402 8AM to 5PM CST Mon-Fri.

DO NOT PERFORM MAINTENANCE WHILE THE STOVE IS STILL HOT. PLEASE ALLOW ADEQUATE TIME TO COOL.

MINIMUM CLEARANCE TO FLAMMABLES OR COMBUSTIBLES

Please keep all combustible and/or flammable materials away from the stove at a minimum distance of 12" from the sides and 48" from above.



ONE YEAR LIMITED WARRANTY!

Texsport warrants to the original consumer purchaser that this stove is free from defects in materials and workmanship for a period of one (1) year from the date of purchase. All implied warranties relating to this product, including without limitation, the warranties or merchantability and fitness for a particular purchase, are also limited in duration to one (1) year from the date of purchase. Some states do not allow limitations on how long an implied warranty lasts, so the above limitations may not apply to you. This warranty extends to the original consumer purchaser only and does not extend to subsequent purchasers or other transferees. This warranty does not cover damage for wear and tear, abuse, improper use or alteration and it is the sole express warranty relating to this product. Call the Texsport Consumer Relations Department at 1-800-231-1402, a sales receipt with date of original purchase is required and must accompany the return of the defective product. **THERE IS HEREBY EXCLUDED FROM THIS WARRANTY ANY LIABILITY FOR INCIDENTAL, CONSEQUENTIAL, SPECIAL, INDIRECT, PUNITIVE OR EXEMPLARY DAMAGES OR LOST PROFITS RESULTING FROM ANY BREACH OF THIS WARRANTY OR OTHERWISE.** Some states do not allow the exclusion may not apply to you. This warranty gives you specific legal right, and you may also have other rights which vary from state to state.

#14252

NOTE: THIS IS NOT A WARRANTY REGISTRATION CARD