



ASSEMBLY INSTRUCTIONS

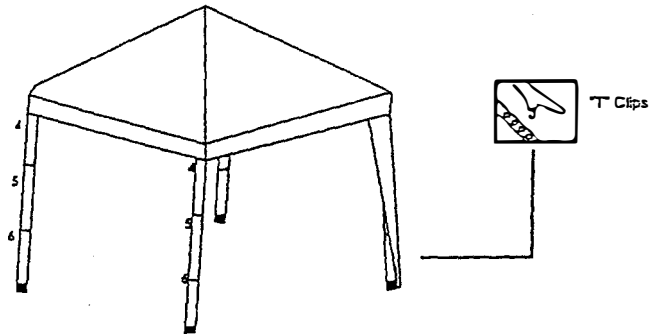
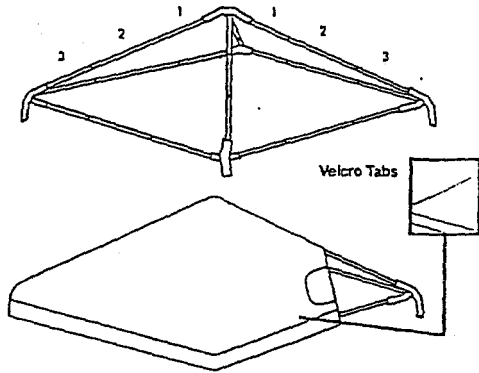
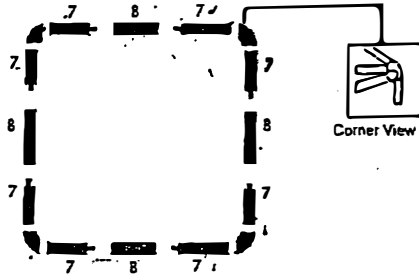
No. 02849

Longpoint Screen Arbor

Thank you for buying a Texsport Authentic Adventure Gear Product. We hope you enjoy your new arbor and that it will give you many years of camping pleasure. We encourage you to read and understand each step of the set-up instructions prior to working with the arbor.

PARTS LIST:

DESCRIPTION	QTY.	PART NO.
Center roof hub	1 ea.	-
Corner roof hub	1 ea.	-
Arbor skin	1 ea.	-
Plastic stakes	8 ea.	-
Steel roof poles	4 ea.	#1
Steel roof poles	4 ea.	#2
Steel roof poles	4 ea.	#3
Steel leg poles	4 ea.	#4
Steel leg poles	4 ea.	#5
Steel leg poles	4 ea.	#6
Steel eave poles	8 ea.	#7
Steel eave poles	4 ea.	#8



ASSEMBLY INSTRUCTIONS:

STEP 1. Lay out the the corners and connect the horizontal frame.

STEP 2. Start the top frame assembly at the corners and connect as illustrated.

STEP 3 Pull the arbor cover tightly over the assembled top frame. Secure the velcro straps to frame arbor skin.

STEP 4. Lift up the covered top frame. Insert the upper set of leg poles.

STEP 5. Lift the covered frame higher and insert the middle and bottom set of leg poles. Pull the arbor cover tightly all around and attach the "T" clips at each leg.

WARNING:

Texsport arbor fabrics are flame retardant treated per C.P.A.I.-84 specifications. However, for your safety, we recommend that NO OPEN FLAME BE USED IN OR NEAR YOUR ARBOR.

QUESTIONS:

If you should have any questions, problems, or comments please call our Customer Service Department at 1-800-231-1402. This Department is open M-F from 8:00 a.m. until 5:00 p.m. CST. www.texsport.com